



A good granularity for the soil is essential for the successful production of quality bricks. The different sifting tools proposed by MecoConcept have been created especially for this purpose and are adapted for the different MecoPresses.

MecoTri



Cost effective

The MecoTri is the essential tool for breaking down and calibrating all types of dry soil quickly and efficiently.

With the same amount of labour, it is five times more efficient than conventional sifting systems.

Interchangeable screens allow you to choose the grain size of your soil.

It has a very low energy consumption.

Rotating sifter

This equipment selected by MecoConcept allows you to save time when sifting your soil.

It is effective on fine and soils with a low amount of clay.



For smaller budgets

Sifting table

The table has been specially developed to work in isolated areas without electricity.



This sturdy tool, made of high quality thick steel, is equipped with the same grids as the MecoTri.

Different uses

- Compressed earth bricks
- Plaster
- Landscaping
- Gardening

Practical and doesn't need electricity

Follow us !



Suivez notre actualité en vous abonnant à notre page Facebook

Compliance

MecoPress equipment complies with the European directives and the national legislation transposing them: 2006/42/EEC on machinery

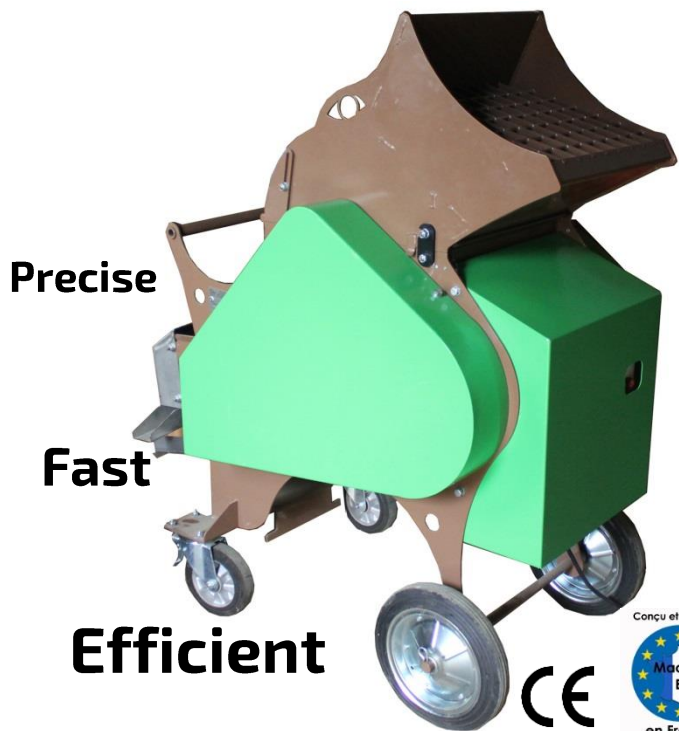


See our machines in action on MecoConcept's YouTube channel :

<https://www.youtube.com/user/MecoConcept>

MecoTri

Quality sifting



Precise

Fast

Efficient

Performance

up to **20 m³/day** of dry soil

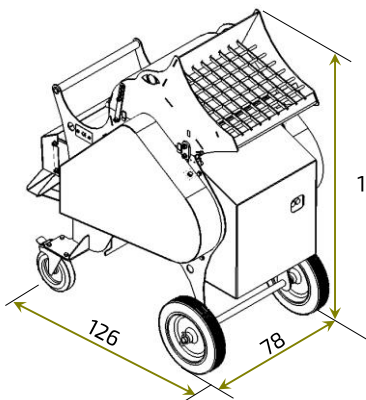
Capacity for an 8-hour day

!Attention! Performance depends on the number and quality of operators. Count on an efficiency of 70% in normal operation

Advantages

- Easy to use
- Easy maintenance
- Interchangeable grids
- Very low energy consumption

Technical information

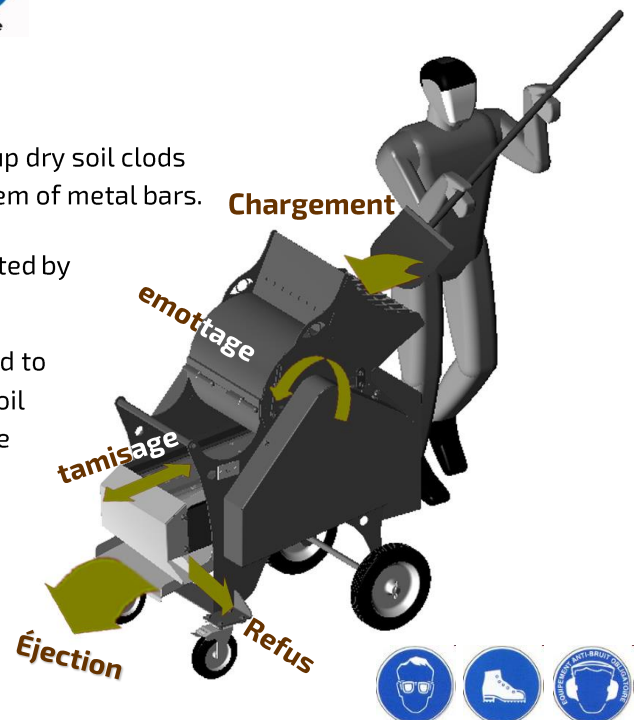


The MecoTri breaks up dry soil clods using a rotating system of metal bars.

Chargement

The soil is then calibrated by two successive sieves.

The residue is discharged to the side and the sifted soil exits from the rear of the machine.



Dimensions L x l x H	155x78x126 (cm)
Weight	390 kg
Time to change a grid	5 min
Sieving capacity	1 à 3 m ³ /h
Motor, 230V single phase*	1,1 kW
Average consumption	0,7 kW
Lower sieve mesh*	5 mm
Upper sieve mesh*	25 mm



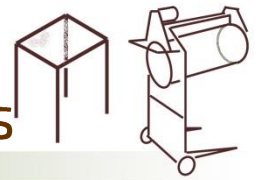
Watch the MecoTri in action on our YouTube channel :

<https://www.youtube.com/watch?v=3jfXAZ1wfgI>

International Transportation:

You will need this information if you want to organise the freight yourself, or find out about import costs.

Packaging	SEI4 woodbox
Overall dimensions (Lxllxh)	120x80x164 cm
Gross Weight	440 kg
Custom number	84 74 10 0000



Sifting is no longer a chore!

Rotating sifter



Technical information

The rotary sifter will not allow clods and stones to pass through, it will allow you to break down large quantities of soil.

Dimensions L x l x H	108x74x140 cm
Box dimensions	104x48x78 cm
Gross Weight	37/44 kg
Sifting capacity	3 m ³ /h
Drum diametre	400 mm
Drum length	900 mm
Drum angle	10 °
Rotation speed	42 tr/mn
Sieve mesh	10 mm
Motor, 230V AC power	360 W

The two positions of the drum allow the speed of the sifting of the soil to increase or decrease.

The grid is easy to change and you can modify the size as you wish.

The loading and unloading openings are completely unobstructed for optimum safety and ease of loading.

It is easy to move around thanks to its two wheels and low weight.



Sifting table

The sifting table developed by MecoConcept allows you to work quickly and comfortably.

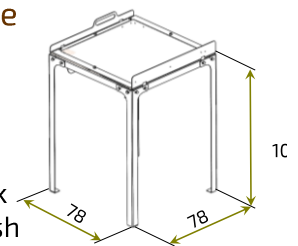
Technical information



Dimensions L x l x H	78x78x100 cm
Cargo dimensions	105x70x15 cm
Gross Weight	45 kg
Sifting capacity	5 mm

For different mesh sizes, don't hesitate to ask.

Base module



The soil is easily removed by means of a tilting system.



The grids are easy to replace, and its modular design enables you to work in a row with different mesh sizes.



It is the perfect tool for working in an isolated area.